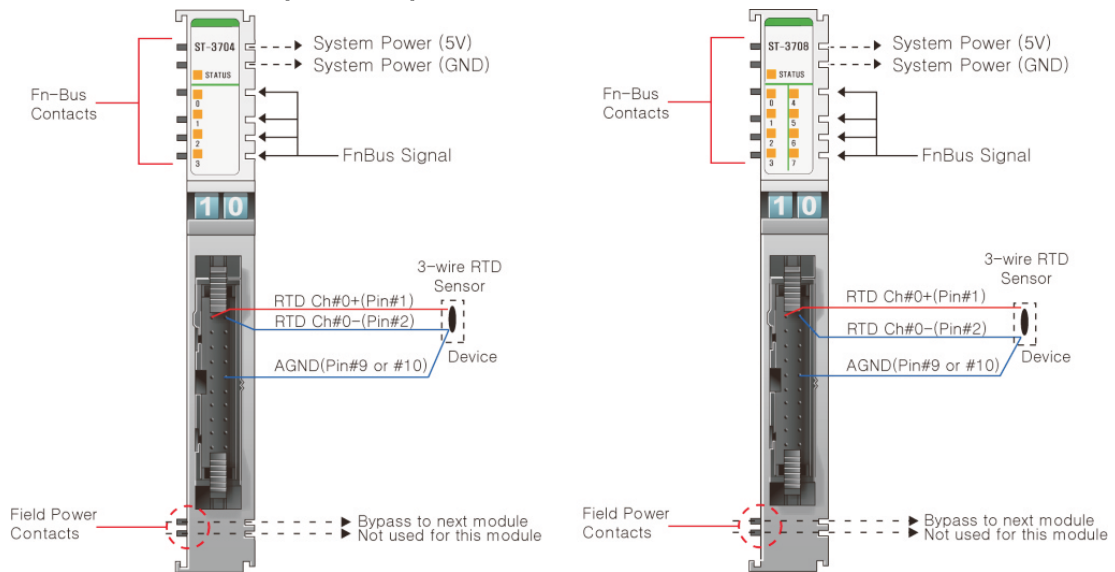


ST-3704, ST-3708

RTD, 4 Channels, Status (ST-3704)
 RTD, 8 Channels, Status (ST-3708)



Item	ST-3704	ST-3708																																																																																																
Input Specification																																																																																																		
Number of Inputs	4 Channels	8 Channels																																																																																																
Indicators	1 Green/Red States, 4 Green State	1 Green/Red LED, Module Status, 8 Green LED, Input State																																																																																																
Sensor Types	RTD Input PT100, PT200, PT500, PT1000, PT50 JPT100, JPT200, JPT500, JPT1000, JPT50 NI100, NI200, NI500, NI1000 NI120, NI1000LG Resistance Input 100mΩ/bit, 10mΩ/bit, 20mΩ/bit, 50mΩ/bit																																																																																																	
Excitation Current	About 1mA																																																																																																	
Conversion Method	3-Wire or 2-Wire																																																																																																	
Conversion Time	30msec/1Channel when Normal Conversion																																																																																																	
Data Format	16bits signed Integer (2's compliment)																																																																																																	
Resolution of Data	± 0.1℃ / F, 10mΩ																																																																																																	
Module Accuracy	± 0.3% Full Scale @25℃ ± 0.5% Full Scale @0℃, 60℃																																																																																																	
Calibration	Not Required																																																																																																	
Diagnostic	Sensor Open or Range Over, then Conversion Data=0x8000(-32768) Except Resistance Input Mode																																																																																																	
Common Type	4 Common/Module																																																																																																	
General Specification																																																																																																		
Power Dissipation	Max. 100mA@5.0Vdc	Max. 110mA@5.0Vdc																																																																																																
Isolation	I/O to Control Logic : Photocoupler Isolation																																																																																																	
Field power	Not used, Field Power by pass to next expansion module																																																																																																	
Wiring	Connector Type, up to AWG22 Module Connector : HIF3BA-20D-2.54DSA																																																																																																	
Weight	70g																																																																																																	
Module Size	12mm x 99mm x 70mm																																																																																																	
Environment Condition	Refer to " Environment Specification"(page : 1-191)																																																																																																	
	<table border="1"> <thead> <tr> <th>Pin No.</th> <th>Description</th> <th>Pin No.</th> <th>Description</th> </tr> </thead> <tbody> <tr><td>1</td><td>RTD Ch#0+</td><td>2</td><td>RTD Ch#0-</td></tr> <tr><td>3</td><td>RTD Ch#1+</td><td>4</td><td>RTD Ch#1-</td></tr> <tr><td>5</td><td>RTD Ch#2+</td><td>6</td><td>RTD Ch#2-</td></tr> <tr><td>7</td><td>RTD Ch#3+</td><td>8</td><td>RTD Ch#3-</td></tr> <tr><td>9</td><td>AGND</td><td>10</td><td>AGND</td></tr> <tr><td>11</td><td>-</td><td>12</td><td>-</td></tr> <tr><td>13</td><td>-</td><td>14</td><td>-</td></tr> <tr><td>15</td><td>-</td><td>16</td><td>-</td></tr> <tr><td>17</td><td>-</td><td>18</td><td>-</td></tr> <tr><td>19</td><td>AGND</td><td>20</td><td>AGND</td></tr> <tr><td>-</td><td>-</td><td>-</td><td>-</td></tr> </tbody> </table>	Pin No.	Description	Pin No.	Description	1	RTD Ch#0+	2	RTD Ch#0-	3	RTD Ch#1+	4	RTD Ch#1-	5	RTD Ch#2+	6	RTD Ch#2-	7	RTD Ch#3+	8	RTD Ch#3-	9	AGND	10	AGND	11	-	12	-	13	-	14	-	15	-	16	-	17	-	18	-	19	AGND	20	AGND	-	-	-	-	<table border="1"> <thead> <tr> <th>Pin No.</th> <th>Description</th> <th>Pin No.</th> <th>Description</th> </tr> </thead> <tbody> <tr><td>1</td><td>RTD Ch#0+</td><td>2</td><td>RTD Ch#0-</td></tr> <tr><td>3</td><td>RTD Ch#1+</td><td>4</td><td>RTD Ch#1-</td></tr> <tr><td>5</td><td>RTD Ch#2+</td><td>6</td><td>RTD Ch#2-</td></tr> <tr><td>7</td><td>RTD Ch#3+</td><td>8</td><td>RTD Ch#3-</td></tr> <tr><td>9</td><td>AGND</td><td>10</td><td>AGND</td></tr> <tr><td>11</td><td>RTD Ch#4+</td><td>12</td><td>RTD Ch#4-</td></tr> <tr><td>13</td><td>RTD Ch#5+</td><td>14</td><td>RTD Ch#5-</td></tr> <tr><td>15</td><td>RTD Ch#6+</td><td>16</td><td>RTD Ch#6-</td></tr> <tr><td>17</td><td>RTD Ch#7+</td><td>18</td><td>RTD Ch#7-</td></tr> <tr><td>19</td><td>AGND</td><td>20</td><td>AGND</td></tr> <tr><td>-</td><td>-</td><td>-</td><td>-</td></tr> </tbody> </table>	Pin No.	Description	Pin No.	Description	1	RTD Ch#0+	2	RTD Ch#0-	3	RTD Ch#1+	4	RTD Ch#1-	5	RTD Ch#2+	6	RTD Ch#2-	7	RTD Ch#3+	8	RTD Ch#3-	9	AGND	10	AGND	11	RTD Ch#4+	12	RTD Ch#4-	13	RTD Ch#5+	14	RTD Ch#5-	15	RTD Ch#6+	16	RTD Ch#6-	17	RTD Ch#7+	18	RTD Ch#7-	19	AGND	20	AGND	-	-	-	-
Pin No.	Description	Pin No.	Description																																																																																															
1	RTD Ch#0+	2	RTD Ch#0-																																																																																															
3	RTD Ch#1+	4	RTD Ch#1-																																																																																															
5	RTD Ch#2+	6	RTD Ch#2-																																																																																															
7	RTD Ch#3+	8	RTD Ch#3-																																																																																															
9	AGND	10	AGND																																																																																															
11	-	12	-																																																																																															
13	-	14	-																																																																																															
15	-	16	-																																																																																															
17	-	18	-																																																																																															
19	AGND	20	AGND																																																																																															
-	-	-	-																																																																																															
Pin No.	Description	Pin No.	Description																																																																																															
1	RTD Ch#0+	2	RTD Ch#0-																																																																																															
3	RTD Ch#1+	4	RTD Ch#1-																																																																																															
5	RTD Ch#2+	6	RTD Ch#2-																																																																																															
7	RTD Ch#3+	8	RTD Ch#3-																																																																																															
9	AGND	10	AGND																																																																																															
11	RTD Ch#4+	12	RTD Ch#4-																																																																																															
13	RTD Ch#5+	14	RTD Ch#5-																																																																																															
15	RTD Ch#6+	16	RTD Ch#6-																																																																																															
17	RTD Ch#7+	18	RTD Ch#7-																																																																																															
19	AGND	20	AGND																																																																																															
-	-	-	-																																																																																															